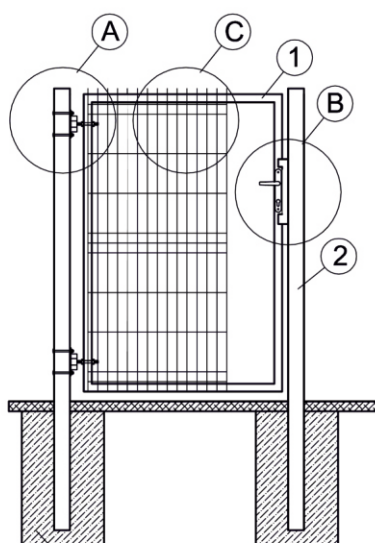


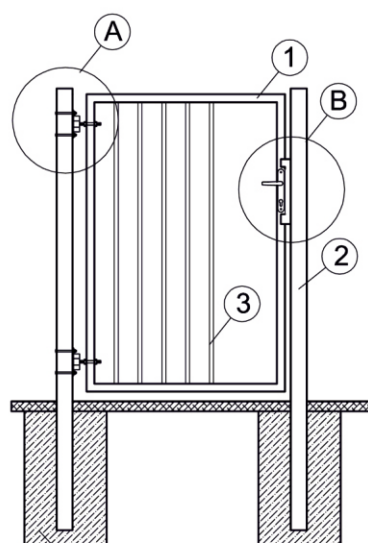
**GATEWAY WITH PANEL/PROFILE INFILL "STANDARD"**

**Drawing of a gateway with a panel infill 3D (Ø5mm) / 2D (6/5/6, 8/6/8) or a profile infill 20x20x1,5mm**

| PROFILE | Gateway max 1200mm (width) x 2000mm (height)                          | Gateway max 1200mm (width) x 2000mm (height) |
|---------|---|--|
| 1       | Square pipe 40x40x2mm   | Square pipe 40x40x2mm                        |
| 2       | Square pipe 80x80x3mm   | Square pipe 80x80x3mm                        |
| 3       | -   | Square pipe 20x20x1,5mm                      |
| A       | Adjustable hinge "80"   |  |
| B       | Handle lock with a cylinder and a fit plate (B1) / electric lock (B2) |  |
| C       | Panel fastening (2D panel welded in the frame)                        |  |



Gate pole foundation of concrete, class min. B15.  
Foundation depth min. 80cm.



Gate pole foundation of concrete, class min. B15.  
Foundation depth min. 80cm.

