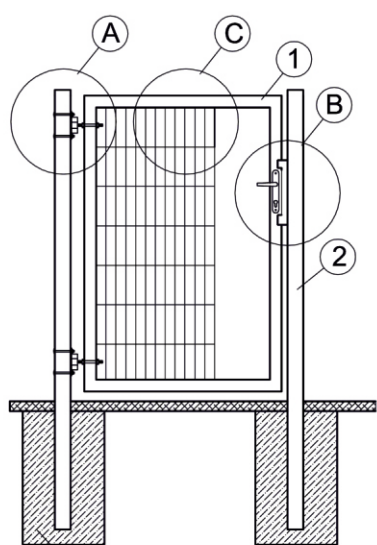


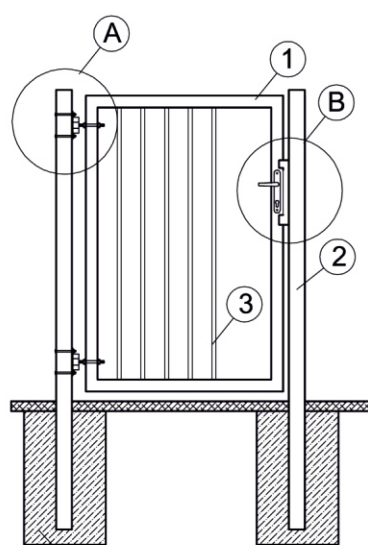
**GATEWAY WITH PANEL/PROFILE INFILL "STRONG"**

**Drawing of a gateway with a panel infill 2D (6/5/6 , 8/6/8) or a profile infill 20x20x1,5mm**

PROFILE	Gateway max 1200mm (width) x 2000mm (height)	Gateway max 1200mm (width) x 2000mm (height)
1	Square pipe 60x40x2mm	Square pipe 60x40x2mm
2	Square pipe 80x80x3mm	Square pipe 80x80x3mm
3	-	Square pipe 20x20x1,5mm
A	Adjustable hinge "80"	
B	Handle lock with a cylinder and a fit plate (B1) / electric lock (B2)	
C	Panel fastening	



Gate pole foundation of concrete, class min. B15.  
Foundation depth min. 80cm.



Gate pole foundation of concrete, class min. B15.  
Foundation depth min. 80cm.

