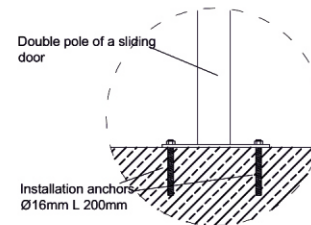


## SLIDING DOOR WITH A PANEL INFILL

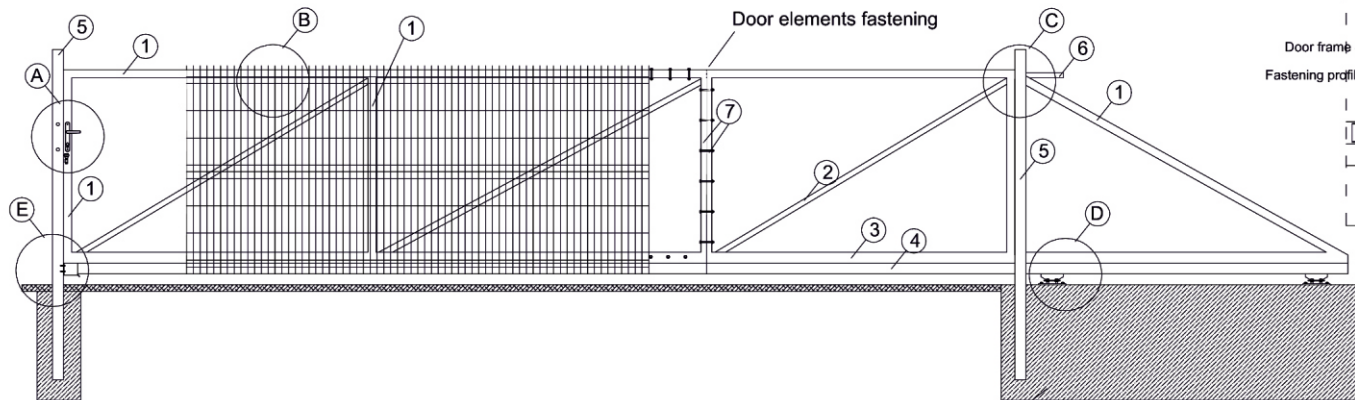
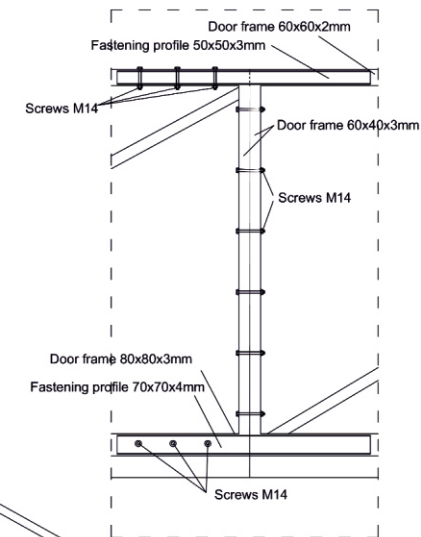
Drawing of a sliding door with a panel infill 3D (Ø5mm) / 2D (6/5/6, 8/6/8)

PROFILE	Sliding doors from 7000mm do 8000mm (width) x 2000mm (height)
1	Square pipe 60x60x2mm
2	Square pipe 40x40x2mm
3	Square pipe 80x80x3mm
4	Running rail 80x80x27x5mm
5	Double pole - square pipe 80x80x2mm
6	Upper guide rail π 40x40x3mm
7	Square pipe 60x40x3mm
A/A1	Hook lock with a handle and a cylinder lock and a set of pick tires
B	Panel fastening (2D panel welded in the frame)
C	Upper guide tire
D	5-tire trolley
E	Slide-in basket

### OPTIONALLY Poles mounting on a base leg plate



### DOOR ELEMENTS FASTENING



Gate pole foundation of concrete, class min. B15.  
Foundation depth min. 80cm.

