

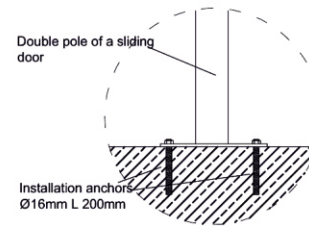
SLIDING DOOR WITH PROFILE INFILL

Drawing of a sliding door with a profile infill - square pipe 20x20x1,5mm

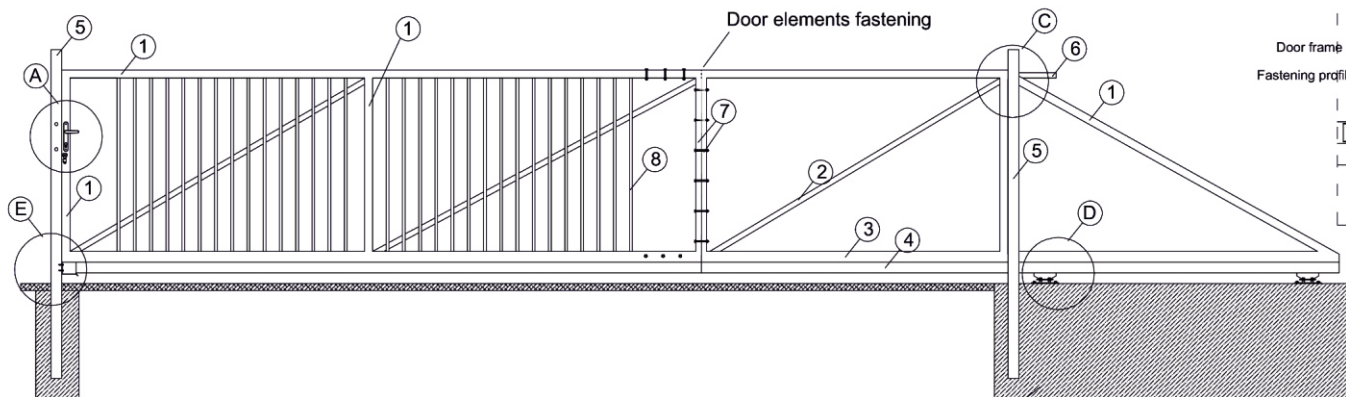
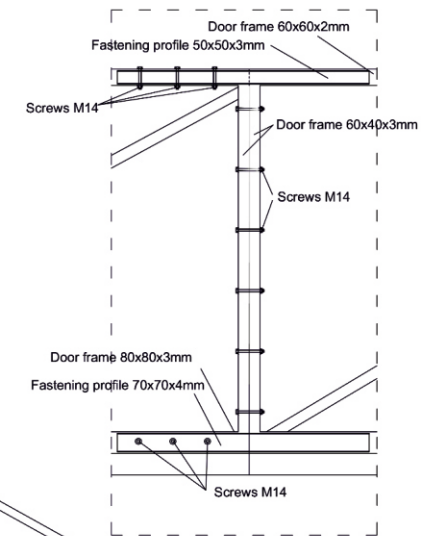
PROFILE	Sliding doors from 7000mm do 8000mm (width) x 2000mm (height)
1	Square pipe 60x60x2mm
2	Square pipe 40x20x2mm
3	Square pipe 80x80x3mm
4	Running rail 80x80x27x5mm
5	Double pole - square pipe 80x80x2mm
6	Upper guide rail П 40x40x3mm
7	Square pipe 60x40x3mm
8	Square pipe 20x20x1,5mm
A/A1	Hook lock with a handle and a cylinder lock and a set of pick tires
B	Upper guide tire
C	5-tire trolley
D	Slide-in basket

OPTIONALLY

Poles mounting on a base leg plate



DOOR ELEMENTS FASTENING



Gate pole foundation of concrete, class min. B15.
Foundation depth min. 80cm.

